

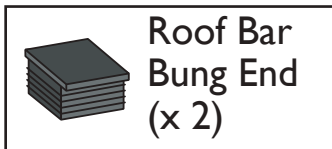
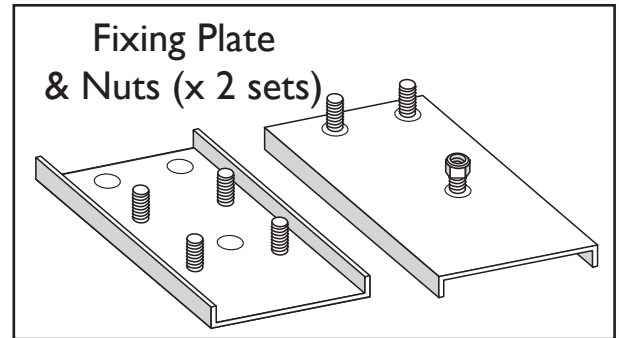
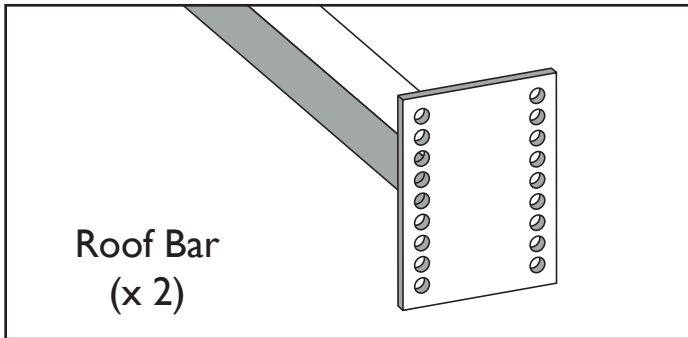
ADJUSTABLE ROOF BAR FIXING SYSTEM

Fits Vauxhall Vivaro Mk3, (also suits Nissan NV300, Fiat Scudo from 2023, Citroen Dispatch).



Broadview
Vehicle Awnings

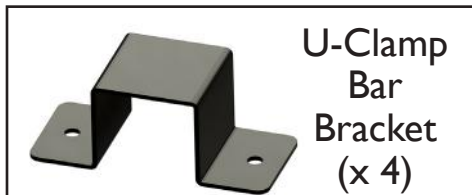
Your kit consists of:



F015
Lock Washer
(x 8)



Rubber
Pad
(x 4)



U-Clamp
Bar
Bracket
(x 4)



F006 (x 8) Bolt
M8 x 20 - BZP



F006 Bolt
M6 x 16
(x 8)

Fixing Feet
(x 4)



F016 Washer
(x 16)



F050
M8 Roof Clip
(x 8)



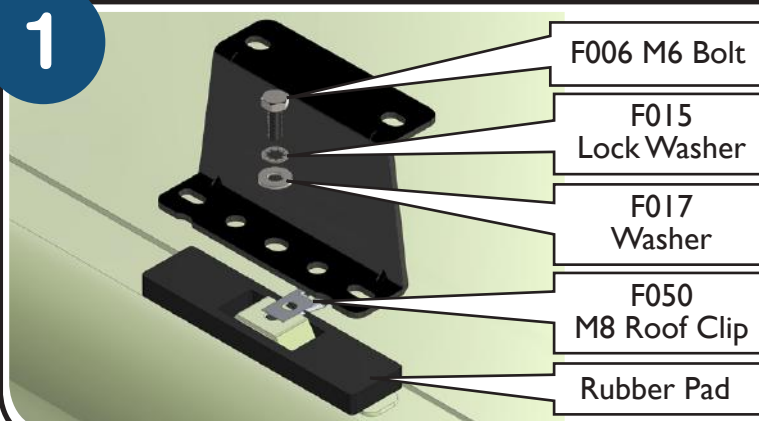
F023 M8 Nyloc
Nut (x 8)



F017
Washer
(x 8)

PLEASE NOTE: QUANTITIES ABOVE ARE BASED ON THE 2 ROOF BAR KITS.
Some kits consist of 3 roof bars, therefore quantities of items will increase accordingly.

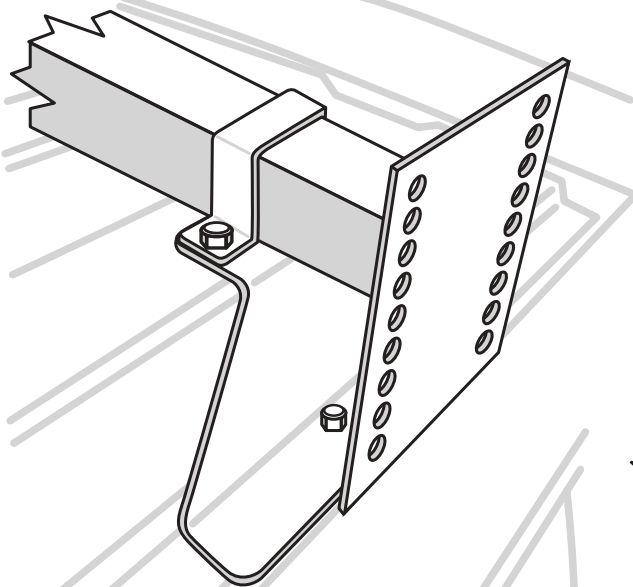
1



Fit the feet to vehicle.
Use bolts with rubber pad
and washers as shown.

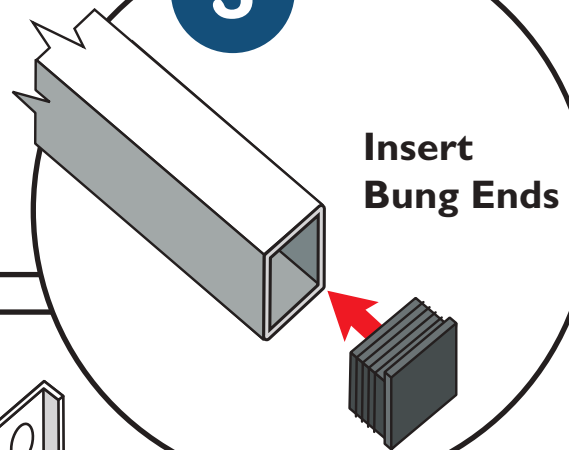
*Use a good quality
sealant to prevent
water ingress.*

2



Lay the bars across the feet.
Secure down using the U-Clamp Bar Brackets.
Leave brackets loose so that the bars can be adjusted.

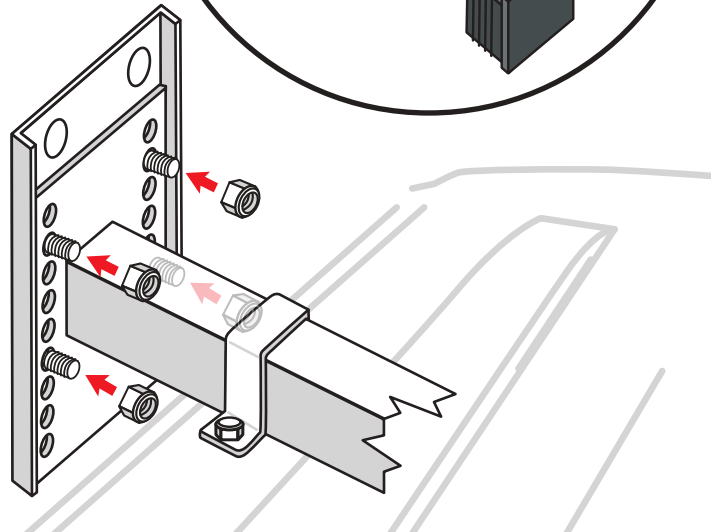
3



4

Bolt the adjustable plate to the roof bars.

Position close as possible to the vehicle making sure any undulation in the roof line is taking into consideration.

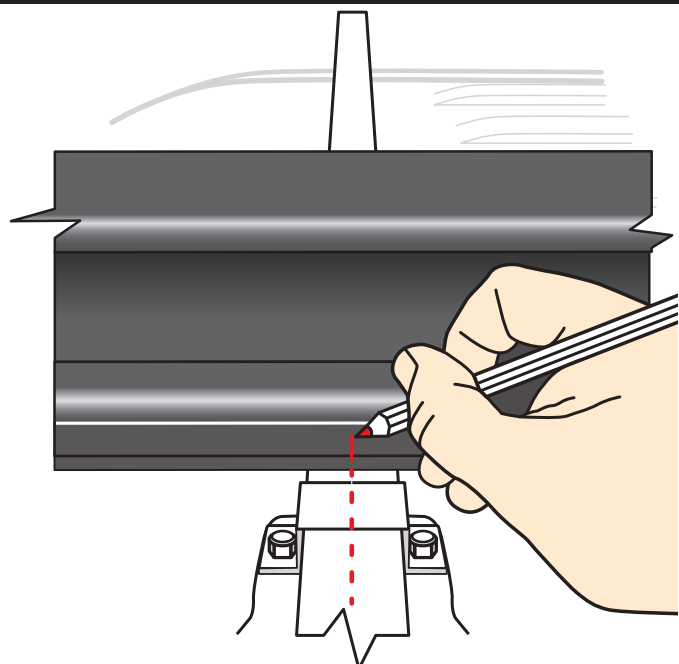


5

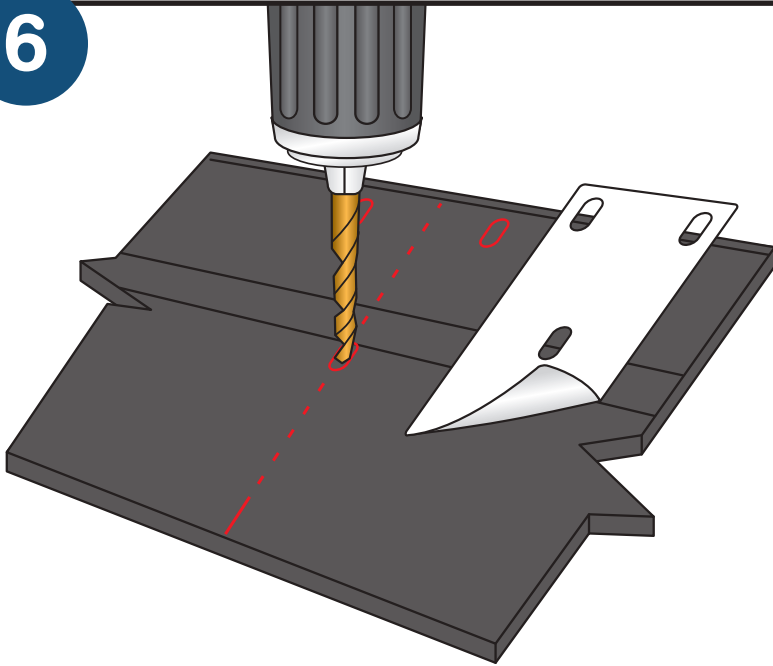
Lay the full back fixing plate on top of the roof bars lining up where the awning would sit.

The back plate is 200mm shorter than the awning so allow 100mm each end for the final position for the awning.

Mark the centre of the bar on the fixing plate.



6



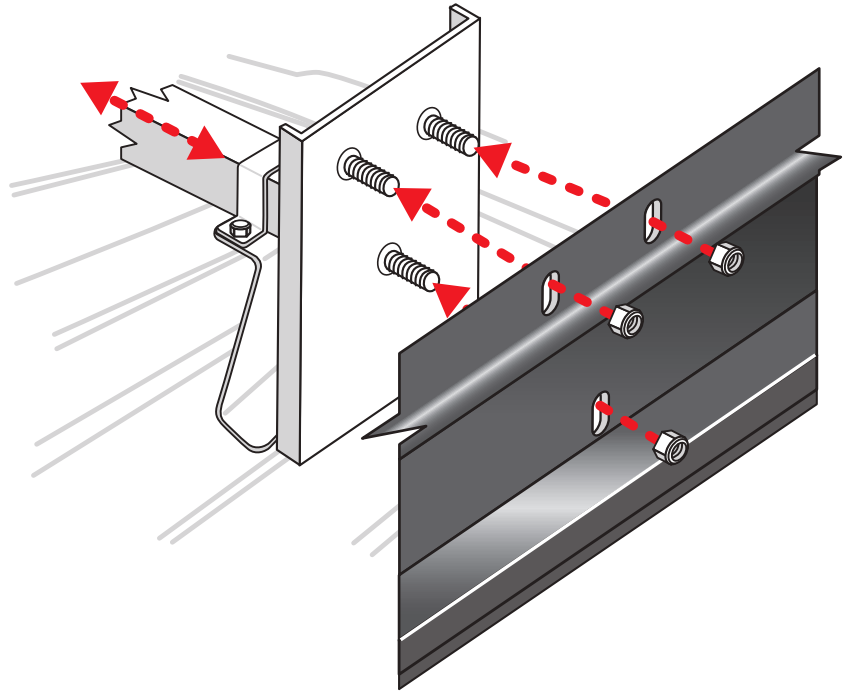
Drill 3 x 12mm holes lining up the centre hole with the mark on the fixing plate.
Use the template provided on separate page.

7

Bolt the fixing plate to the roof bars.

The roof bars can now be pushed back or forward to align correctly to the vehicle.

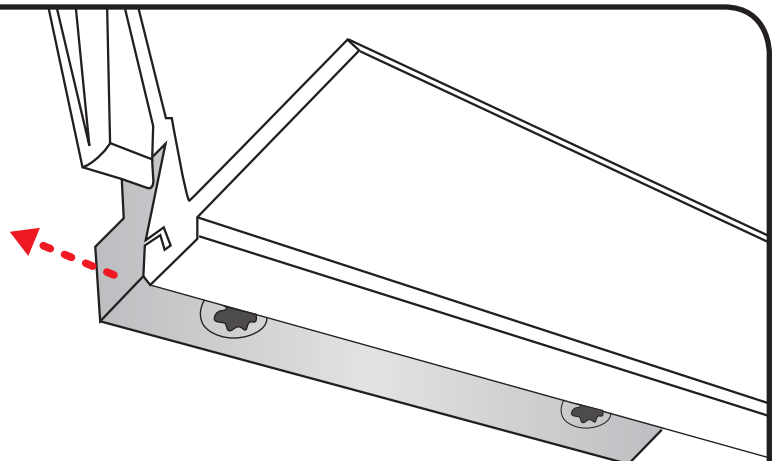
Tighten roof bar U-clamps when in position.



8

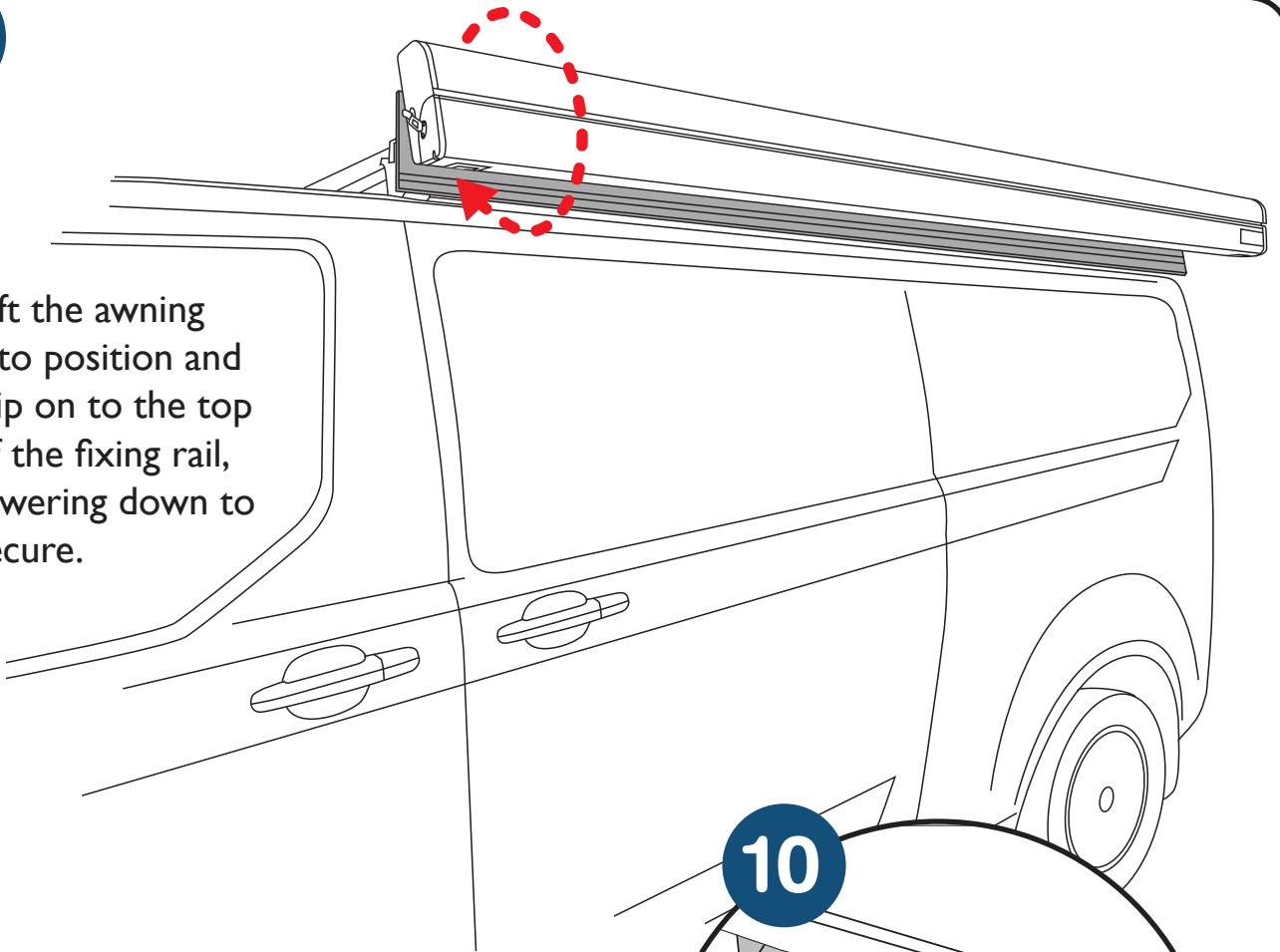
Before lifting the awning on the fixing plate.

Make sure the sliders are pushed to the far left and right end of the awning.



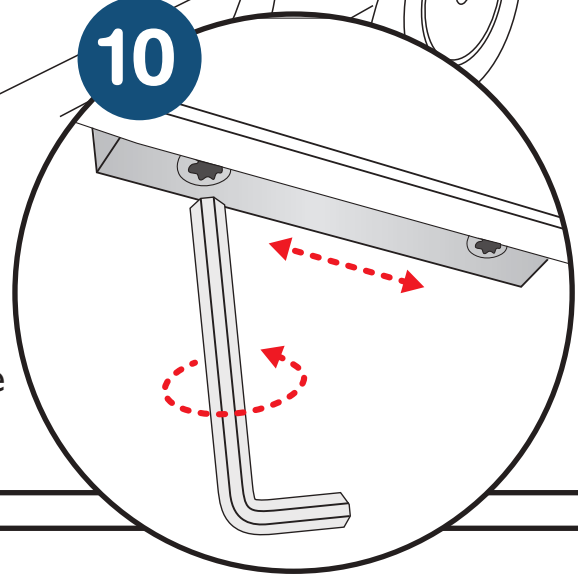
9

Lift the awning into position and clip on to the top of the fixing rail, lowering down to secure.

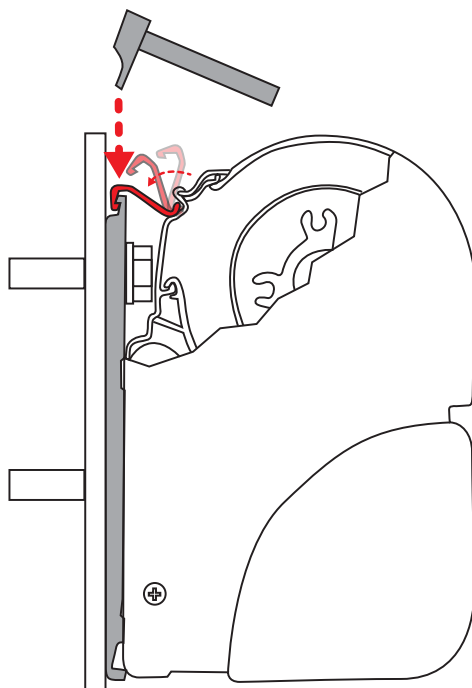


10

Once the awning lifted and hooked on, position the sliders where the arms are and lock in securely with the Allen locking nuts.



11



ELITE BOX VERSION:

Place the snap in hook that is supplied (as shown). The clip is a single use spring clip and hooks to the back top edge of the fixing bracket and the cassette to eliminate flex on extension.

**ENJOY YOUR
COMPLETED JOB**



Broadview
Vehicle Awnings



THANK YOU FOR YOUR PURCHASE

Broadview Vehicle Awnings do not accept any liability for products that have not been correctly fitted as per the original fitting instructions or the vehicle handbook.

Please check your vehicle manufacturer handbook to establish the maximum distributed weight loading capacity for your particular vehicle. Never exceed this weight limit.

Broadview Vehicle Awnings accepts no liability for any damage to, or loss of property from carrying loads in excess of the recommendations of the vehicle manufacturer.

No liability is accepted for any personal injury as a result of product misuse.

Maximum Load = The Weight of the Load Carrier + The Weight Of the Load.

SAFETY NOTES:

1. Loads should be adequately secured to the load carrier and must not overhang the carrier by any great extent. Heavy loads should be evenly distributed and secured across the load bars. Narrow loads should be positioned towards the side of the load carrier, as close

to the leg supports as is possible. All loads should be safely secured using suitable fixing methods (i.e. webbing straps)

2. It is important to check all fixings, especially the roof mounting fixings - For the first time after a short journey. These fixings must then be rechecked before and after every use.

3. The driving characteristics of your vehicle may change considerably when using a load carrying system - Beware of sudden cross winds and the increased braking distances required and adjust your driving habits accordingly.

4. Roof Racks are not designed to be a safe working platform and should not be used as such. **DO NOT** attempt to climb on the vehicles roof for any reason.

5. Do not attempt to lift heavy or cumbersome items onto the vehicles roof by yourself. Always seek assistance of someone to help you.

6. If installing an awning is electric or with LED lighting please ask for a separate wiring diagram.

Broadview Vehicle Awnings reserve the right to alter the product specification without notice.

WARNING - CAUTION REQUIRED:

For vans with threaded fix-points in roof.

Take care when removing the fix-points covers. The covers are often made of plastic and can break easily.

ALWAYS RUN A CLEAN OILED BOLT CAREFULLY INTO EACH FIX-POINT TO MAKE SURE THREADS ARE CLEAR. BE CAREFUL NOT TO CROSS-THREAD!

MAKE SURE blind holes are free from debris that may cause bolts to bottom-out.

DO NOT FORCEFULLY OVERTIGHTEN!

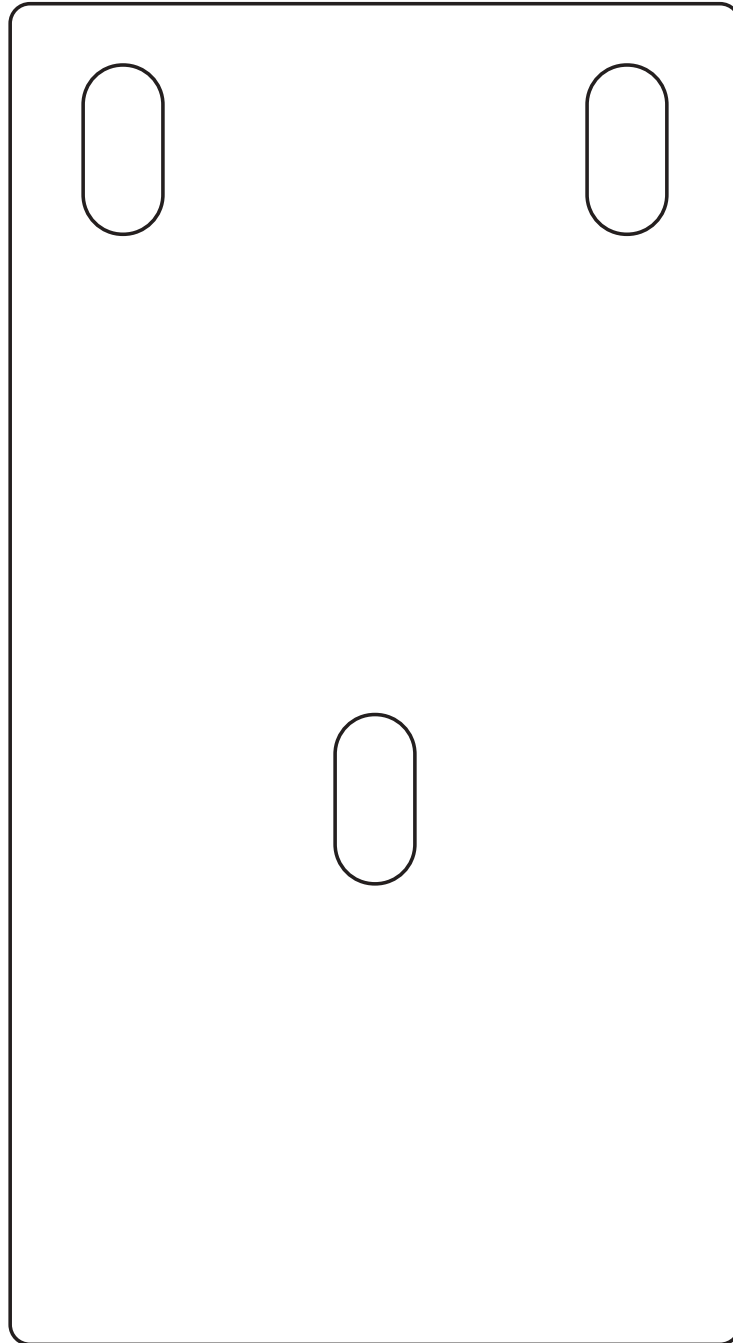
In some rare instances the van fix-points may have been poorly built into the van roof and be obscured by the roof-panel. This is a vehicle manufacturing fault and is out of our control.




We will **NOT** accept liability for damage caused to van fix-points due to a vehicle defects or incorrect fitting.

ALWAYS USE THE SUPPORT LEGS WHEN AWNING IS EXTENDED. ALWAYS CHECK THE TRAVEL LOCKS ARE FASTENED AND IN GOOD CONDITION.

Fitting roof bars to your van can create wind-noise due to turbulence. This is normally only noticeable at speed and can vary due to roof-loads and climate. Noise from wind turbulence can be reduced (but not always completely eliminated) by the addition of an aerofoil fitted to the front bar. Please contact us for further details.

Drilling Template



 www.broadview.co.uk  01202 679012  sales@broadview.co.uk

 Visit our showroom: 57 Hatch Pond Road, Nuffield Ind. Estate, Poole, BH17 0JZ



Broadview
Vehicle Awnings