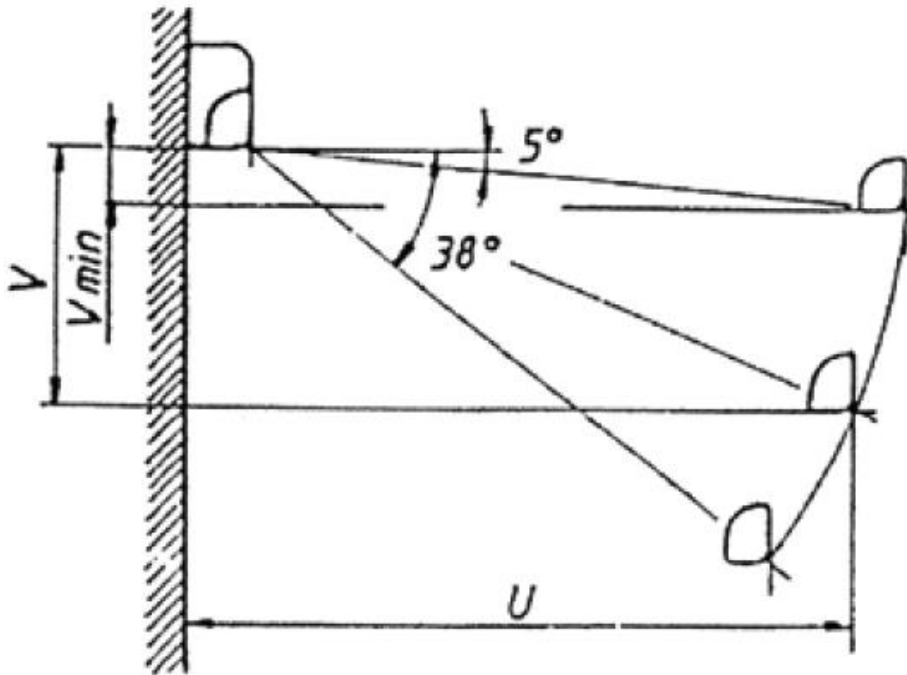


Adjusting the Pitch of angle ( front height) is sometimes necessary especially if the awning cassette is set not completely in a vertically upright fixation. Often this occurs on High Roof Vans where the cassette is tilted 5-8 degrees.

To lower the front height check the leg length (1.8m is standard) and add 100mm to the leg. This is the ground to the underneath of the leadrail you will require.



- 1, Extend the awning
- 2, You will need to slightly loosen the arm nuts on the side large arm block .
- 3,Then underneath the arm block rotate the orizontal stainless steel height adjusting nut to raise or lower the arm.
- 4, At the desired height then retighten the nuts on the side of the arm block.

